

Rittal – The System.

Faster – better – everywhere.

Digital Brochure

ENCLOSURES

POWER DISTRIBUTION

CLIMATE CONTROL

IT INFRASTRUCTURE

SOFTWARE & SERVICES



Rittal – The System.

Faster – better – everywhere.



System Accessories

Base/Plinth

Flex-Block Base/Plinth System	424
TS Base/Plinth	426
Base/Plinth	433

Base

Base	435
------------	-----

Walls

Sidewalls	450
Partition Walls	453
Interconnect Kit	458

Baying Systems

Baying	460
--------------	-----

Doors/Locks

Door Models	467
Expansion Accessories for TS Modular Front Design	469
Viewing Windows/Operating Panels	473
Lock Systems	478
Hinges	492
Door, External/Internal	493

Roof/Wall Mounting

Roof	499
Wall Mounting	503

Interior Fittings

Mounting Plates	507
Rail Systems	514
Assembly Components	533
Component Shelves	540
System Lights	545
EMC	551
Interior Fittings for Areas at Risk of Earthquake	554
Grounding	555

Cable Routing

Cable Entry	561
Flange Plates	564
Cable Gland	568
Cable Gland	569
Cable Management	572
Cable Routing 19"	582

19" Installation System

Pivoting Frame	587
Accessories for Data Rack	591
Profile Rails	592
Slide Rails	596
19" Fittings	598
Patch Panels	603
Splicing Boxes	604

Human/Machine Interface

Handles	605
External Mounting Accessories	607
Front Fittings	608
Keyboards, Supports and Drawers	610
Interfaces	617
Signal Pillars	619

Technical Information

RittalXpress	622
CE/Grounding/HD/Model Numbers	623
Protection Categories	624
NEMA	625
Approvals/Equipment Grounding Conductor	627
Coating/Spray Finish	628



System lights

- For direct mounting in all large enclosures
- For mounting on compact enclosures, wall-mounted enclosures and console systems using system accessories

Protection category IP to IEC 60 529:

- IP 20



Also required:

- Connection accessories, see page 550



Accessories:

- Adapter bracket, see page 533
- Universal bracket, see page 537
- Rail for interior fitting, see page 521



Technical comparison/fittings		Standard light	Courtesy light	Universal light	Compact light	LED system light	Enclosure light	
Page		546	546	546	547	548	549	
Supply voltage	100 – 240 V, 50/60 Hz	-	■	■	■	-	-	
	120 V, 60 Hz	■	-	-	-	-	■	
	230 V, 50 Hz	■	-	-	-	-	-	
	24 V (DC)	-	-	-	■	■	-	
Fully electronic ballast		-	■	■	■	-	■	
Bulb	Fluorescent lamp, G13 backplate	■	■	-	-	-	■	
	Compact fluorescent lamp, 2G11 backplate	-	-	■	-	-	-	
	T5 fluorescent lamp	-	-	-	■	-	-	
	LEDs, cool white	-	-	-	-	■	-	
Protection category	I (equipment grounding conductor)	■	■	■	-	-	-	
	II (total insulation)	-	-	-	■	-	-	
	III (SELV)	-	-	-	-	■	-	
Mounting type	Screw fastening	■	■	■	■	■	-	
	Clip fastening	-	-	-	■	■	■	
	Magnetic fastener (accessories)	-	-	-	■	■	-	
Mounting option	TS roof frame (horizontal profile)	direct	■	■	■	■	■	
		with adapter bracket	■	■	■	-	-	■
	TS, SE vertical profile	direct	-	-	-	■	■	-
		with adapter bracket	■	■	■	-	-	■
	SE roof frame (profile front and rear)	direct	-	-	-	■	■	■
		with universal bracket	■	■	■	-	-	■
	SE roof frame (profile side)	with universal bracket	■	■	■	-	-	■
		with magnetic fastener	-	-	-	■	■	-
AE, CM, TP	with rail for interior fitting	■	■	■	■	■	■	
Connection options	Power supply/connection cable	■	■	■	■ ²⁾	■	■	
	Door-operated switch	■	■	-	■	■	■	
	Through-wiring (switch several lights in series)	■	■	■	-	■	-	
Approvals	UL/cUL	■ ²⁾	-	■ ²⁾	■ ²⁾	- ¹⁾	■	
	ENEC	■ ²⁾	■	-	■ ²⁾	-	-	
	VDE	-	-	■ ²⁾	-	-	-	
Fittings	Light bulb cover	-	■	■	■	■	■	
	Light cone adjustment	-	-	-	-	■	-	
	Integrated outlets, ground contact	■ ²⁾	■	■ ²⁾	-	-	-	
	Integrated outlets, USA	■ ²⁾	-	-	-	-	■	
	Integrated motion detector	-	-	■	-	-	-	
	Integrated door-operated switch	■ ²⁾	■ ²⁾	-	-	-	-	

¹⁾ Safety extra-low voltage, not required by the standard

²⁾ Depending on fittings

³⁾ Integrated

Interior Fittings

System lights



Universal light

With integral motion detector

Advantages:

- Insulated plastic housing
- Efficient compact fluorescent tubes
- Light easy to mount on enclosure

Material:

- Plastic

Supply includes:

- Mounting clips



Also required:

- Connection accessories, see page 550

Technical specifications	Outlet	Height inches (mm)	Width inches (mm)	Depth inches (mm)	Model No.	Approvals
61 BTU (18 W), 110 – 240 V, 50 – 60 Hz	Ground contact	4 (95)	14 (343)	2 (55)	4155.110	VDE
	–	4 (95)	14 (343)	2 (55)	4155.010	VDE
	–	4 (95)	14 (343)	2 (55)	4155.510	UL



Courtesy light

Without door-operated switch

Technical specifications	Outlet	Height inches (mm)	Width inches (mm)	Depth inches (mm)	Model No.	Approvals
48 BTU (14 W), 100 – 240 V, 50/60 Hz	Ground contact	5 (117)	18 (452)	2 (50)	4139.140	ENEC
61 BTU (18 W), 100 – 240 V, 50/60 Hz	Ground contact	5 (117)	27 (682)	2 (50)	4139.180	ENEC
102 BTU (30 W), 100 – 240 V, 50/60 Hz	Ground contact	5 (117)	39 (987)	2 (50)	4139.300	ENEC



With door-operated switch

Technical specifications	Outlet	Height inches (mm)	Width inches (mm)	Depth inches (mm)	Model No.	Approvals
48 BTU (14 W), 100 – 240 V, 50/60 Hz	Ground contact	5 (117)	18 (452)	2 (50)	4139.150	ENEC
61 BTU (18 W), 100 – 240 V, 50/60 Hz	Ground contact	5 (117)	27 (682)	2 (50)	4139.190	ENEC
102 BTU (30 W), 100 – 240 V, 50/60 Hz	Ground contact	5 (117)	39 (987)	2 (50)	4139.350	ENEC



Also required:

- Connection accessories, see page 550



Standard light

Without door-operated switch

Technical specifications	Outlet	Height inches (mm)	Width inches (mm)	Depth inches (mm)	Model No.	Approvals
48 BTU (14 W), 230 V, 50 Hz	Ground contact	5 (117)	18 (452)	2 (50)	4138.140	ENEC
61 BTU (18 W), 230 V, 50 Hz	Ground contact	5 (117)	27 (682)	2 (50)	4138.180	ENEC
102 BTU (30 W), 230 V, 50 Hz	Ground contact	5 (117)	39 (987)	2 (50)	4138.300	ENEC
48 BTU (14 W), 120 V, 60 Hz	USA	5 (117)	18 (452)	2 (50)	4138.240	cURus
61 BTU (18 W), 120 V, 60 Hz	USA	5 (117)	27 (682)	2 (50)	4138.280	cURus
102 BTU (30 W), 120 V, 60 Hz	USA	5 (117)	39 (987)	2 (50)	4138.400	cURus



With door-operated switch

Technical specifications	Outlet	Height inches (mm)	Width inches (mm)	Depth inches (mm)	Model No.	Approvals
48 BTU (14 W), 230 V, 50 Hz	Ground contact	5 (117)	18 (452)	2 (50)	4138.150	ENEC
61 BTU (18 W), 230 V, 50 Hz	Ground contact	5 (117)	27 (682)	2 (50)	4138.190	ENEC
102 BTU (30 W), 230 V, 50 Hz	Ground contact	5 (117)	39 (987)	2 (50)	4138.350	ENEC
48 BTU (14 W), 120 V, 60 Hz	USA	5 (117)	18 (452)	2 (50)	4138.250	cURus
61 BTU (18 W), 120 V, 60 Hz	USA	5 (117)	27 (682)	2 (50)	4138.290	cURus
102 BTU (30 W), 120 V, 60 Hz	USA	5 (117)	39 (987)	2 (50)	4138.450	cURus



Also required:

- Connection accessories, see page 550

Compact light

Slimmer – Faster – Brighter

- Slimmer: Height and depth reduced by around 50%, takes up 75% less volume than conventional lights
- Faster: Universal quick-release fastening using clips, screws or powerful magnets (optional). Easy to insert at the sides or rear, fit light and you're done!
- Brighter: Light has up to 75% higher standard comparison efficiency for the same output, for reduced energy costs
- Door-operated switch connection can be made using 2-pole connector

Color:

- Similar to RAL 7035

Protection category IP to IEC 60 529:

- IP 20

Supply includes:

- Compact light with clip and screw mounting kits plus assembly components

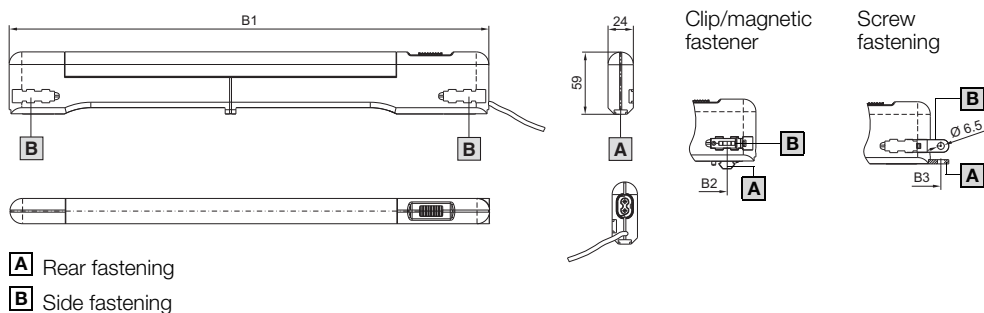


Accessories:

- Magnet mounting kit, see page 547
- Door-operated switch with connection cable, see page 550

Model No.	ENEC 24 cURus	4140.010 –	– 4140.210 ¹⁾	4140.020 –	– 4140.220 ¹⁾	4140.110 –	4140.120 –
Rated voltage	100 – 240 V ±10% at 50 – 60 Hz				24 V (DC) ±10%		
BTU output (watts)	27 (8)		48 (14)		27 (8)		
Protection category	II (total insulation)						
Width (B1) inches (mm)	18 (455)		28 (705)		18 (455)		
Mounting clearance (B2) inches (mm) clip/magnet	16 (400)		26 (650)		16 (400)		
Mounting clearance (B3) inches (mm)	19 (475)		29 (725)		19 (475)		
Connection cable	118" (3 m) (open end)						
Sheath color	Yellow	Gray	Yellow	Gray	Yellow	Yellow	
Rated current A							
– at 230 V	0.045 – 0.088		0.073 – 0.127		–		–
– at 110 V	0.083 – 0.149		0.149 – 0.216		–		–
– at 24 V (DC)	–		–		0.35		0.57
Bulb	T5 fluorescent lamp						
Controller	Wide range voltage EB				EB		
Switch	Integrated, On/Off/Door-Operated Switch mode						
Light cover	Transparent, grooves on the inside						
Cable deflector across rear	■	–	■	–	■	–	■

¹⁾ Only for the North American market



Magnet mounting kit

For reliable adhesion to all carbon steel surfaces.

Packs of	Model No.
2 pc(s).	4140.000



Interior Fittings

System lights



LED system light

In 24 V (DC) version

- Max. EMC capacity
- Protected with the safety extra-low voltage range
- Economical energy use
- Low-maintenance due to use of LEDs
- May be connected to a door-operated switch
- Integral through-wiring
- Universal mounting options
- Pivoting light cone

Material:

- Light body: extruded aluminum
- Light cover: Polycarbonate (halogen-free)
- Light ends: PC-ABS

Color:

- Similar to RAL 7035

Protection category IP to IEC 60 529:

- IP 20

Supply includes:

- LED system light with clip and screw mounting kits plus assembly components

Model No.	4140.810	4140.820	4140.830	4140.840
Rated voltage	24 V (DC) (±10%)			
Number of LEDs	10	20	30	40
Protection category	III (SELV)			
Width (B1) inches (mm)	9 (230)	13 (330)	17 (430)	21 (530)
Mounting clearance, CLIP (B2) inches (mm)	7 (175)	11 (275)	15 (375)	19 (475)
Mounting clearance, screw fastening (B3) inches (mm)	10 (250)	14 (350)	18 (450)	22 (550)
Rated current A ¹⁾	0.04	0.08	0.12	0.16
Switch	Integrated, On/Off/Door-Operated Switch mode			

¹⁾ Maximum buying up to a total rated current strength of 2 amps

! Also required:

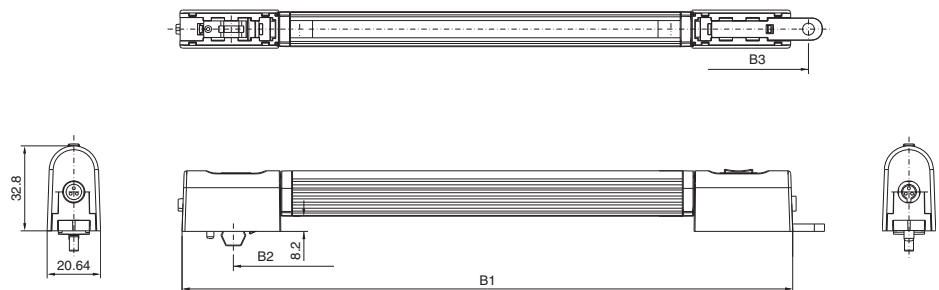
- LED connection cable, see page 549 or
- Door-operated switch with LED connection cable, see page 549

+ Accessories:

- Magnet mounting kit, see page 547
- Door-operated switch with LED interconnecting cable, see page 549
- LED interconnecting cable, see page 549
- Adapter power pack, see page 549

Note:

- Only intended for use in enclosures and closed housings
- When using on customer-supplied power packs, it is important to obtain the requisite approvals depending on the application



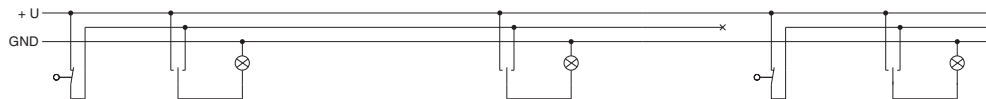
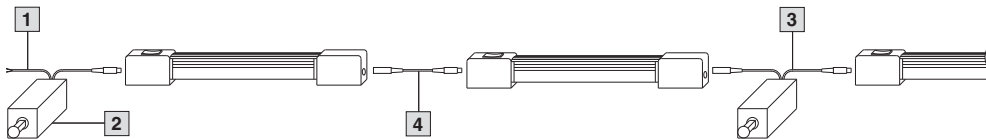
Connection accessories

for LED system light

	Connection cable	Length inches (mm)	Packs of	Model No.
1	LED connection cable	118 (3000)	1 pc(s).	4315.800
	Door-operated switch	Length inches (mm)	Packs of	Model No.
2	With LED connection cable	118 (3000)	1 pc(s).	4315.810
3	With LED interconnecting cable	39 (1000)	1 pc(s).	4315.820
	Interconnecting cable	Length inches (mm)	Packs of	Model No.
4	LED interconnecting cable	24 (600)	1 pc(s).	4315.830
		39 (1000)	1 pc(s).	4315.840
		118 (3000)	1 pc(s).	4315.850
	Adapter power pack	Technical specifications	Packs of	Model No.
5	Adapter power pack	100 – 230 V/24 V (DC), 1 A	1 pc(s).	4315.860

Schematic diagram for LED system light 24 V (DC):

- 1 Connection cable
- 2 Door operated switch with LED connection cable (open end/cable bush)
- 3 Door operated switch with LED interconnecting cable
- 4 LED interconnecting cable for through-wiring



Enclosure light

- Simple installation
- External terminal block means there is no need for disassembly when connecting fluorescent tubes
- Available in 15 or 18 W
- With or without door-operated switch (4127.010, see page 550)
- Fitted with a suppression capacitor or an interference suppressor filter
- Available with or without bulb cover or 115 V US outlet

Technical specifications:

- Supply voltage: 120 V, 60 Hz
- Bulb: cool white
- Terminals: L1 N. GND
- On/off rocker switch

Color:
– RAL 7044

Protection category:
– UL recognized for Canada and USA

Supply includes:
– Assembly components

	Installation length inches (mm)	Technical specifications 120 V, 60 Hz	Model No.
With suppression capacitor, without outlet	18 (467)	15 W	9968.108
	24 (620)	18 W	9968.109
With interference suppression filter, US outlet and bulb cover	18 (467)	15 W	9968.111
	24 (620)	18 W	9968.112



Interior Fittings

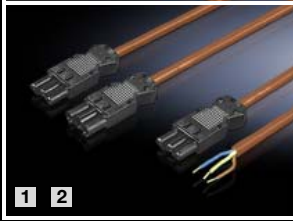
System lights

Connection accessories

The following components are available for easy, time-saving connection of lights:

+ Accessories:

- Cable ties for quick mounting, see page 576



Connection cable for	UL	Length inches (mm)	Packs of	Model No.	
				Orange	Gray
1 Power supply (with outlet, without connector)	-	118 (3000)	5 pc(s).	4315.100	-
1 Power supply (with socket and strain relief, without connector)	■	118 (3000)	1 pc(s).	-	4315.150
2 Through-wiring (with outlet and connector)	■	24 (600)	1 pc(s).	-	4315.450
2 Through-wiring/power supply via connection component 2507.500 (with outlet and connector)	-	24 (600)	5 pc(s).	4315.400	-
	-	39 (1000)		4315.200	-
	-	157 (4000)	1 pc(s).	4315.600	-

Door-operated switch with installation accessories	UL	Length inches (mm)	Technical specifications	Packs of	Model No.		
					Orange	Yellow	Gray
3 With connection cable (not required for universal lights and standard/courtesy lights with integrated door-operated switch)	-	24 (600)	240 V, 6 A 125 V, 8 A 24 V, 6 A 24 V (DC), 6 A	1 pc(s).	4315.520	-	-
	-	39 (1000)		1 pc(s).	4315.320	-	-
	■	24 (600)		1 pc(s).	-	-	4315.550
	■	39 (1000)		1 pc(s).	-	-	4315.350
Without connection cable	■	-		1 pc(s).	4127.010		
4 With connection cable (for compact lights)	-	24 (600)	240 V, 2.5 A 125 V, 2.5 A 24 V, 2.5 A 24 V (DC), 2.5 A	1 pc(s).	-	4315.710	-
	■	24 (600)		1 pc(s).	-	-	4315.720

Door-operated switch with toggle	UL	Technical specifications	Packs of	Model No.
5 Without connection cable, for TS enclosures with large installed pivoting frame. The toggle is actuated via the tubular door frame of the carbon steel door, or in the case of glazed doors, via an adapter included with the supply.	■	240 V, 6 A 125 V (DC), 8 A 24 V, 6 A 24 V (DC), 6 A	1 pc(s).	4127.210

Connection components with 10 A circuit breaker	Packs of	Model No.
6 Reduce installation costs: System lights and workstation lights are supplied with power quickly and reliably through the connection cable. Use connector 2507.200 if you are configuring cables yourself. Connection component that snaps onto a top hat rail.	1 pc(s).	2507.500

For self-assembly	Packs of	Model No.
Outlets for power supply through-wiring	5 pc(s).	2507.100
7 Connectors for connection component through-wiring	5 pc(s).	2507.200
T distributor with 2 outlets, 1 connector	5 pc(s).	2507.300
Connector for door-operated switch cable	5 pc(s).	2507.400

- 1 Connection cable for power supply
- 2 Connection cable for through-wiring/power supply
- 3 Door-operated switch with connection cable

